

Your teacher will perform an amazing [demonstration](#) today.

Get ready to record your observations.

Firstly, some terms you should start to become familiar with.

Inference – is a best guess of what happened or what is going on based on your observations or prior knowledge. An inference cannot be tested and shown to be true or false it is, as stated before, only a guess.






Hypothesis – is a prediction of what may result if something happens. This can be tested and shown to be true or false.

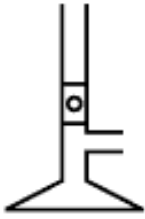
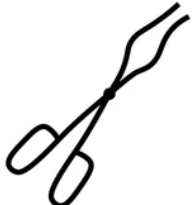

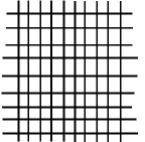
Observations:

- **Qualitative** – these observations are made using the five senses. (leaves look brown and dry)

- **Quantitative** – these observations involve counting or measuring. (2.00 grams of salt dissolved in 20 mL of water)

Observations What did I see	Qualitative Using one of the senses.	Quantitative (measured or counted)
Eg. Three paper cups are placed upside down in a row on the surface of the table.	The cups are upside down	Three cups

Name	Use	Diagram
Conical flask		
		
		
		
		

Name	Use	Diagram
Bunsen burner		
		
		
		
<p>Name the different equipment shown in the image on the right of a laboratory setup.</p> <p>Suggest a use for the setup shown.</p>	